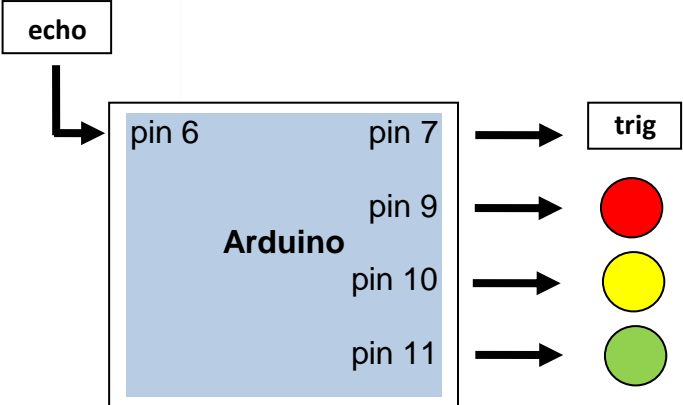


```

setup
  int = variable trig
        value 7
  int = variable echo
        value 6
  int = variable red
        value 9
  int = variable yellow
        value 10
  int = variable green
        value 11

loop
  long = variable duration
        value 0
  digitalWrite() # trig
        LOW
  delay us microseconds 2
  digitalWrite() # trig
        HIGH
  delay us microseconds 5
  digitalWrite() # trig
        LOW
  test digitalRead() # echo = LOW
  while Commands delay us microseconds 1
  test digitalRead() # echo = HIGH
  while Commands
    long = variable duration
           value duration + 1
  
```



ms = milliseconds = 1/1000 second
 us = microseconds = 1/1000,000 second

```

test duration > 300
then
  digitalWrite() # red
                LOW
if
  digitalWrite() # yellow
                LOW
  digitalWrite() # green
                HIGH
test duration <= 300
and duration > 50
then
  digitalWrite() # red
                LOW
if
  digitalWrite() # yellow
                HIGH
  digitalWrite() # green
                LOW
test duration <= 50
then
  digitalWrite() # red
                HIGH
if
  digitalWrite() # yellow
                LOW
  digitalWrite() # green
                LOW
delay ms milliseconds 500
  
```

