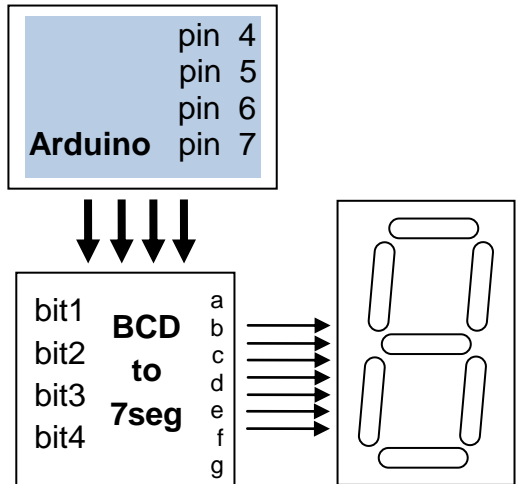


BCD stands for Binary Coded Decimal. It uses a nybble to indicate a decimal number.



	bit4	bit3	bit2	bit1
ZERO	0	0	0	0
ONE	0	0	0	1
TWO	0	0	1	0
THREE	0	0	1	1
FOUR	0	1	0	0
FIVE	0	1	0	1
SIX	0	1	1	0
SEVEN	0	1	1	1
EIGHT	1	0	0	0
NINE	1	0	0	1

[www.techspacelearning.org](http://www.techspacelearning.org)  
**Techspace Learning**

```

setup
  int = variable bit1 value 4
  int = variable bit2 value 5
  int = variable bit3 value 6
  int = variable bit4 value 7
  int = variable thisNum value 0

loop
  test thisNum = 0
  if then ZERO
  test thisNum = 1
  if then ONE
  test thisNum = 2
  if then TWO
  test thisNum = 3
  if then THREE
  test thisNum = 4
  if then FOUR
  test thisNum = 5
  if then FIVE
  test thisNum = 6
  if then SIX
  test thisNum = 7
  if then SEVEN
  test thisNum = 8
  if then EIGHT
  test thisNum = 9
  if then NINE
  int = variable thisNum value thisNum + 1
  test thisNum = 10
  if then int = variable thisNum value 0
  delay ms milliseconds 500
  
```

```

Commands
  digitalWrite() # bit1 LOW
  digitalWrite() # bit2 LOW
  digitalWrite() # bit3 LOW
  digitalWrite() # bit4 LOW
  ZERO

Commands
  digitalWrite() # bit1 HIGH
  digitalWrite() # bit2 LOW
  digitalWrite() # bit3 LOW
  digitalWrite() # bit4 LOW
  ONE
  
```

etc. up to number NINE .....